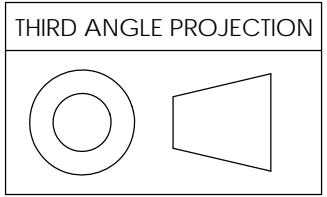
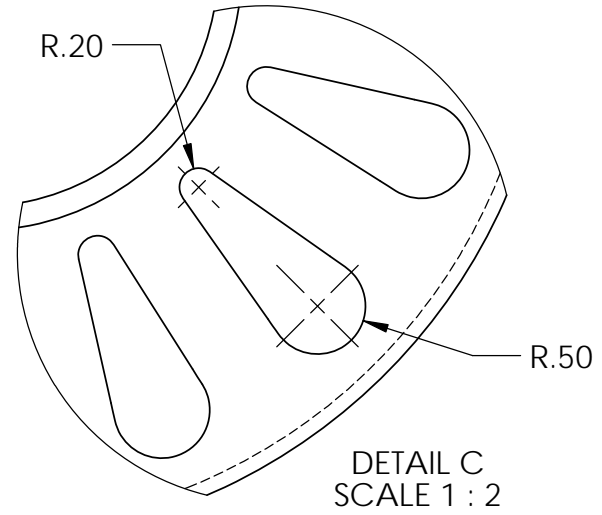
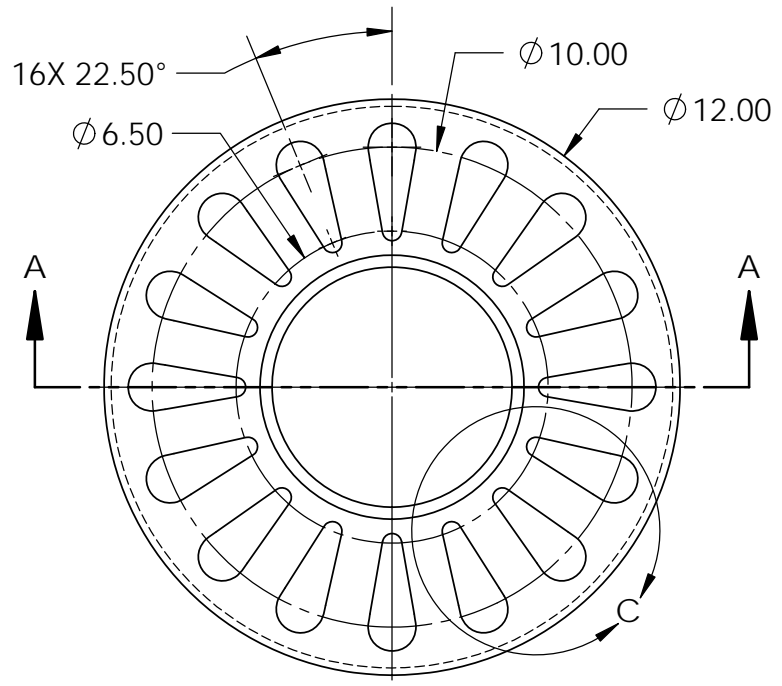
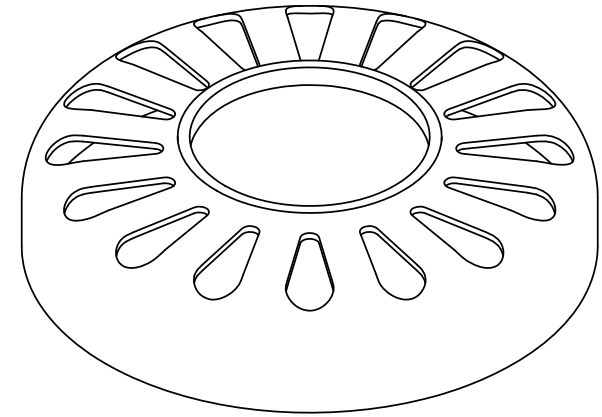
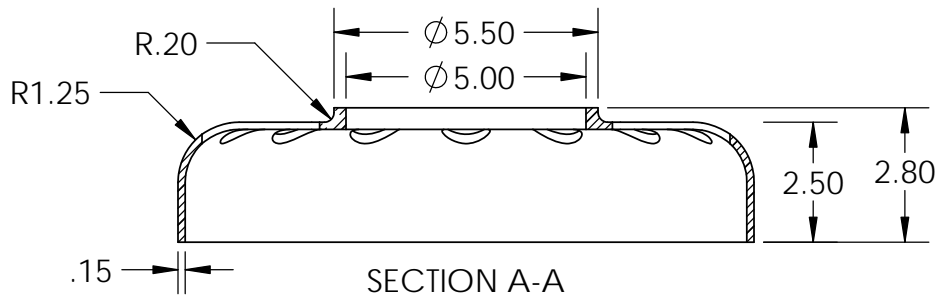
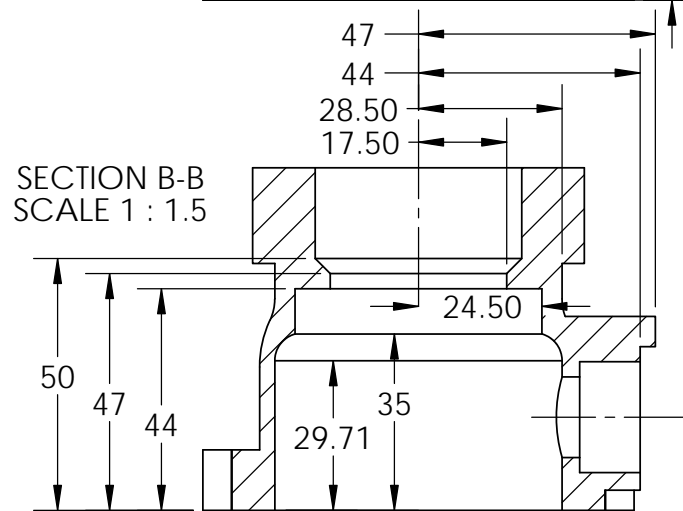
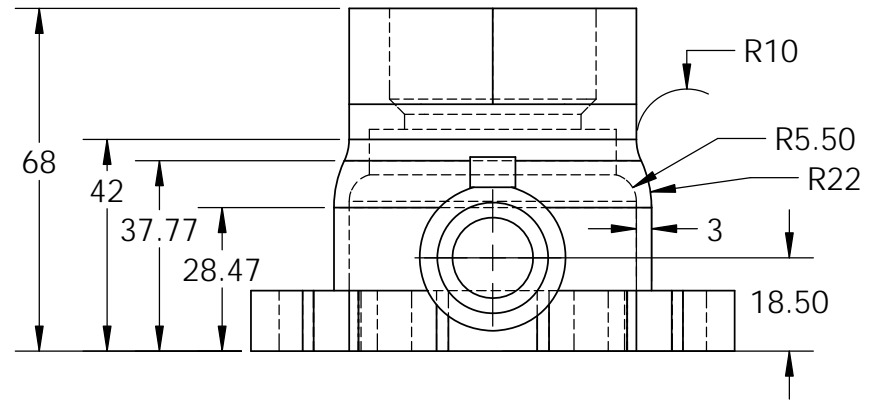
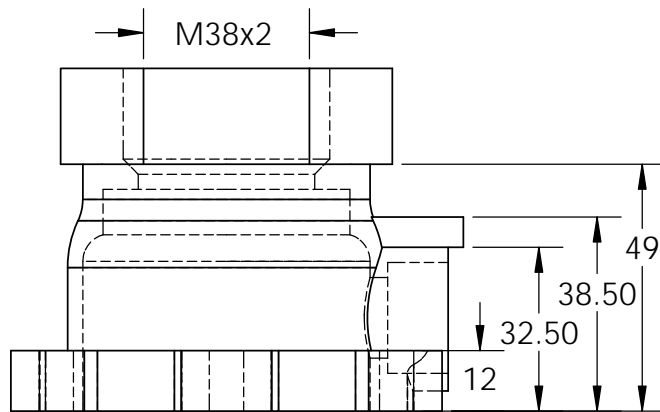
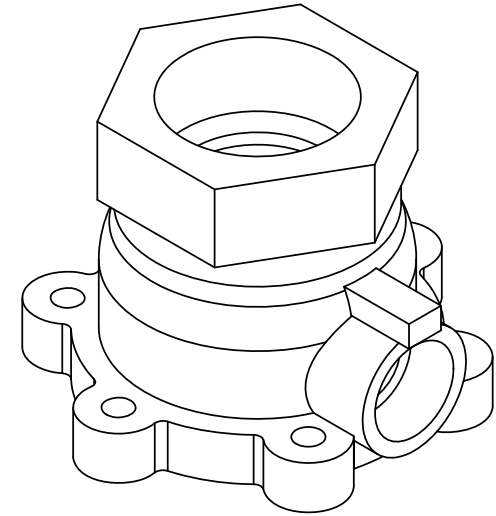
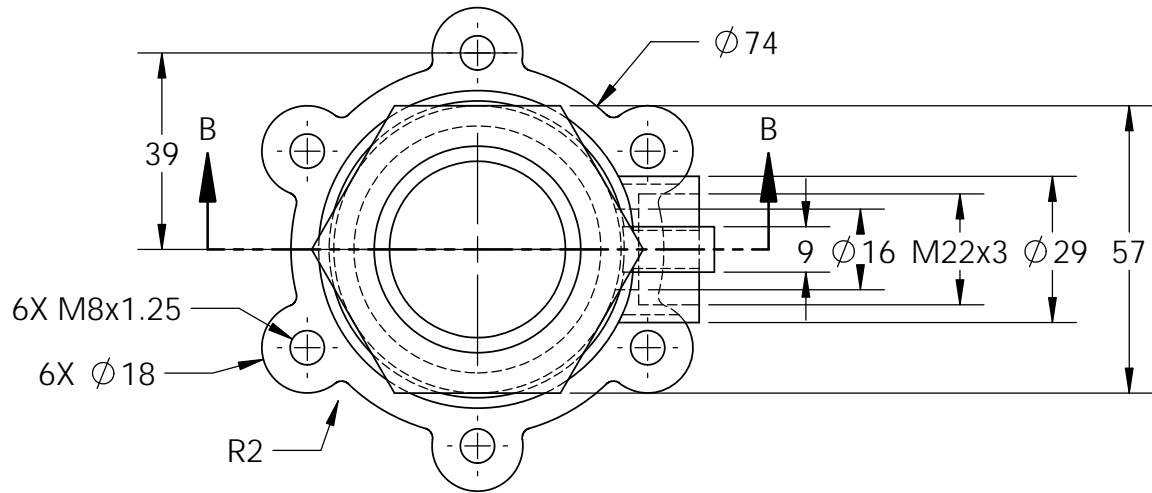


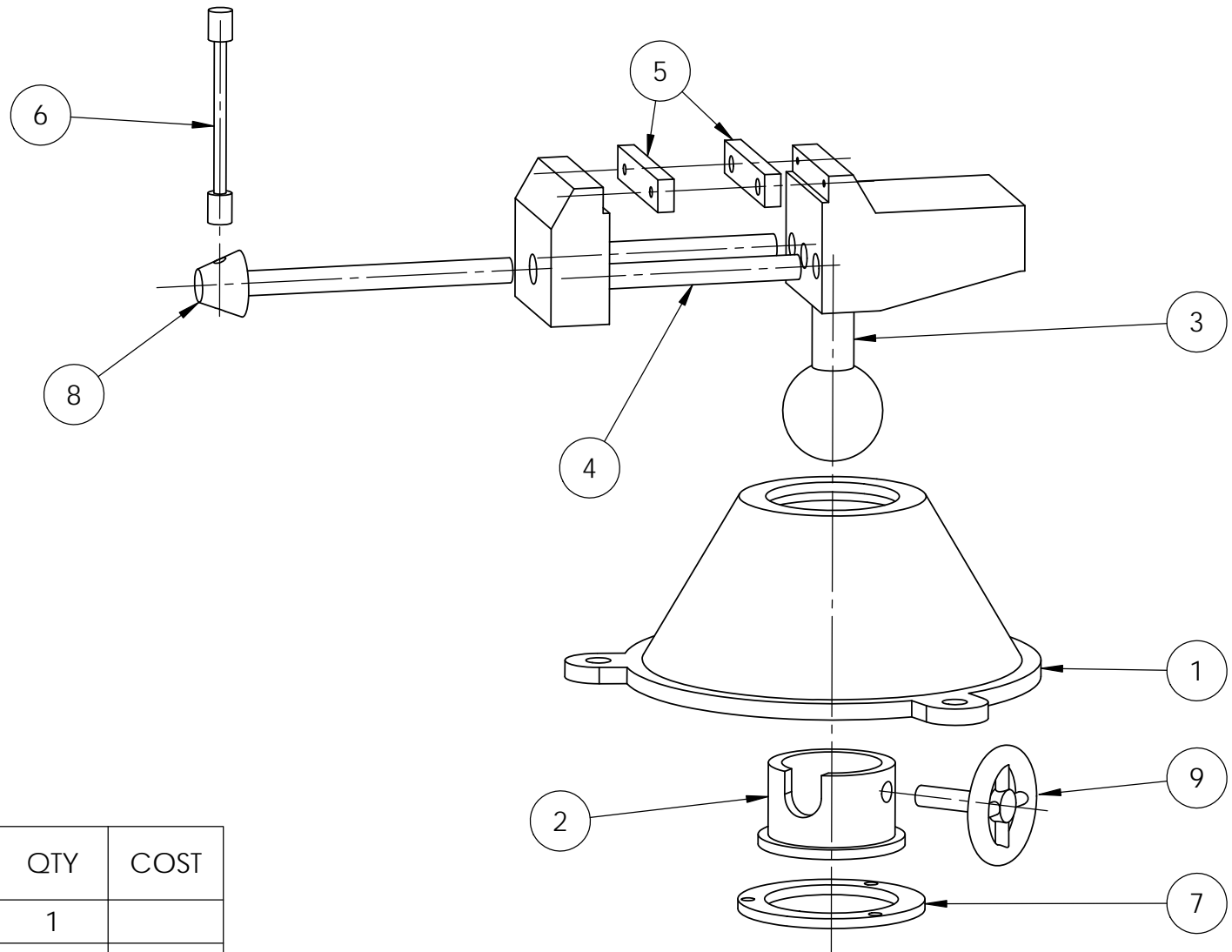
| | | | | | |
|-----------------------------|--|-----------|----------|----------------------------|--|
| UNLESS OTHERWISE SPECIFIED: | | NAME | DATE | NATHAN KARASCH | |
| DIMENSIONS ARE IN MM | | DRAWN | 9/24 | TITLE: SHAFT | |
| | | CHECKED | | | |
| | | ENG APPR. | | | |
| | | MFG APPR. | | | |
| VOLUME | | Q.A. | | SCALE: 1:25 | |
| 29696.660 | | COMMENTS: | | | |
| DO NOT SCALE DRAWING | | SIZE | DWG. NO. | REV | |
| | | A | PTFO 3 | 1 | |



| | | | | | |
|-----------------------------|--|-----------|------|-----------------------------|--------------------|
| UNLESS OTHERWISE SPECIFIED: | | NAME | DATE | NATHAN KARASCH | |
| DIMENSIONS ARE IN INCHES | | DRAWN | 9/14 | TITLE: CEILING FAN COVER | |
| | | CHECKED | | | |
| | | ENG APPR. | | | |
| | | MFG APPR. | | | |
| | | Q.A. | | | |
| VOLUME | | COMMENTS: | | | |
| 21.44 | | | | SIZE A | DWG. NO. PTFO 4 |
| DO NOT SCALE DRAWING | | | | SCALE: 1:4 | REV 1 |
| | | | | SHEET 1 OF 1 | |

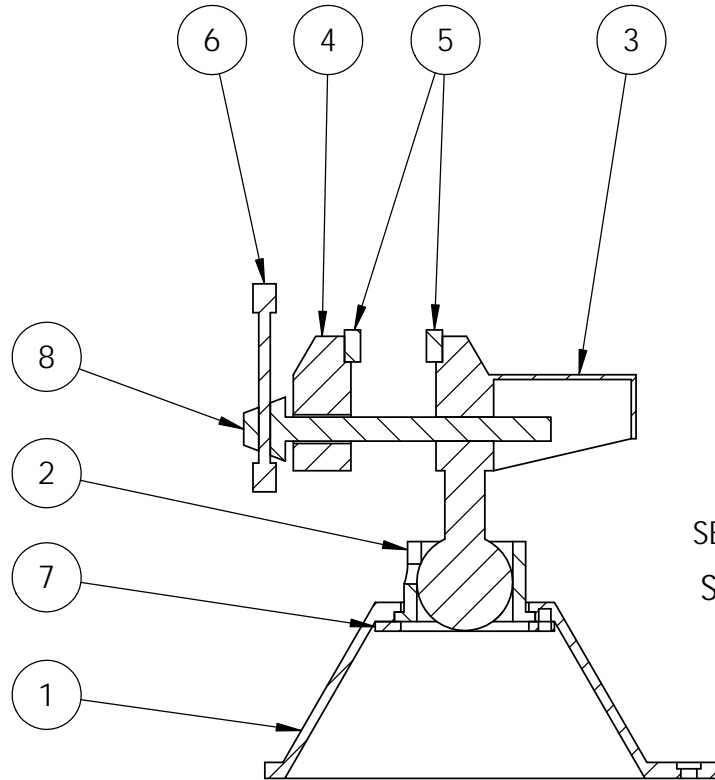
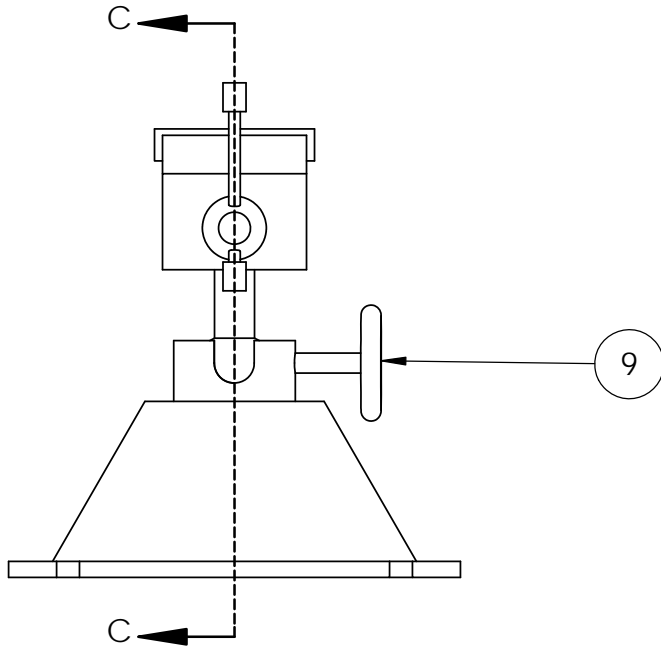
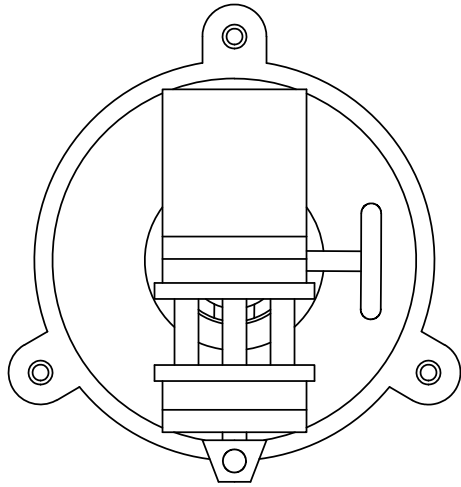


| | | | | | |
|-----------------------------|--|-----------|------|---------------------|----------|
| UNLESS OTHERWISE SPECIFIED: | | NAME | DATE | NATHAN KARASCH | |
| DIMENSIONS ARE IN MM | | DRAWN | 10/4 | TITLE: | |
| | | CHECKED | | <h1>VALVE BODY</h1> | |
| | | ENG APPR. | | | |
| VOLUME | | MFG APPR. | | SIZE | DWG. NO. |
| | | Q.A. | | A | PTFO 6 |
| 90865.696 | | COMMENTS: | | REV | 1 |
| DO NOT SCALE DRAWING | | | | SCALE: 2:3 | |
| | | | | SHEET 1 OF 1 | |



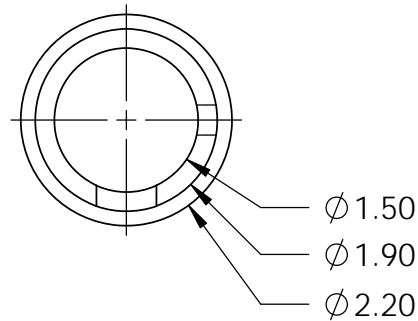
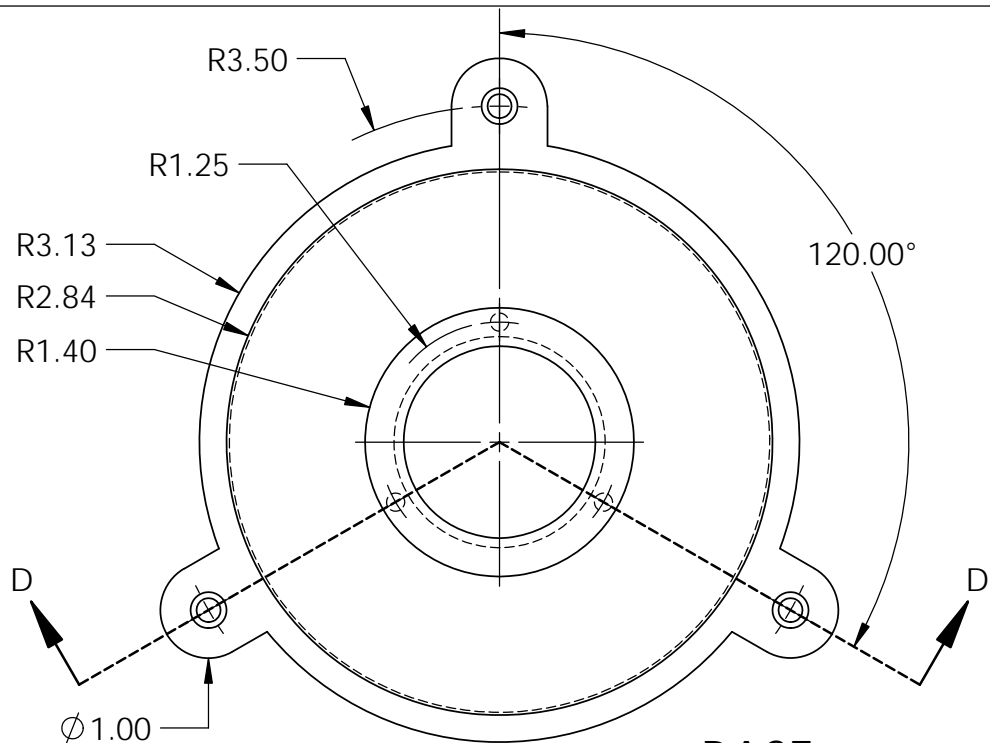
| ITEM NO. | PART NUMBER | PRICE | QTY | COST |
|----------|-------------|-------|-----|------|
| 1 | Base | | 1 | |
| 2 | Casing | | 1 | |
| 3 | Head | | 1 | |
| 4 | Jaw | | 1 | |
| 5 | Grip | | 2 | |
| 6 | Pin | | 1 | |
| 7 | Plate | | 1 | |
| 8 | Shaft | | 1 | |
| 9 | Wheel | | 1 | |

| | | | | | |
|-----------------------------|-----------|----------------------|------|----------------|--------------|
| UNLESS OTHERWISE SPECIFIED: | | NAME | DATE | NATHAN KARASCH | |
| DIMENSIONS ARE IN INCHES | DRAWN | 11/4 | | TITLE: | |
| | CHECKED | | | CLAMP ASSEMBLY | |
| | ENG APPR. | | | SIZE | DWG. NO. |
| | MFG APPR. | | | A | PTFO 7 |
| VOLUME | Q.A. | | | REV | 1 |
| | COMMENTS: | | | SCALE: 2:5 | SHEET 1 OF 6 |
| 23.21 | | DO NOT SCALE DRAWING | | | |

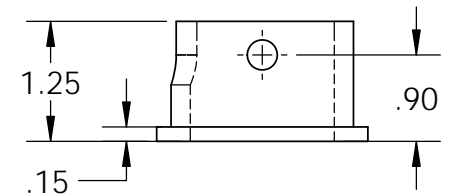
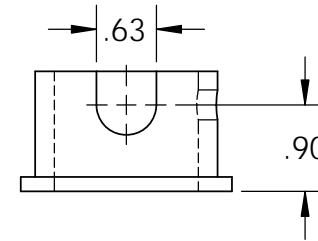


SECTION C-C
SCALE 1 : 3

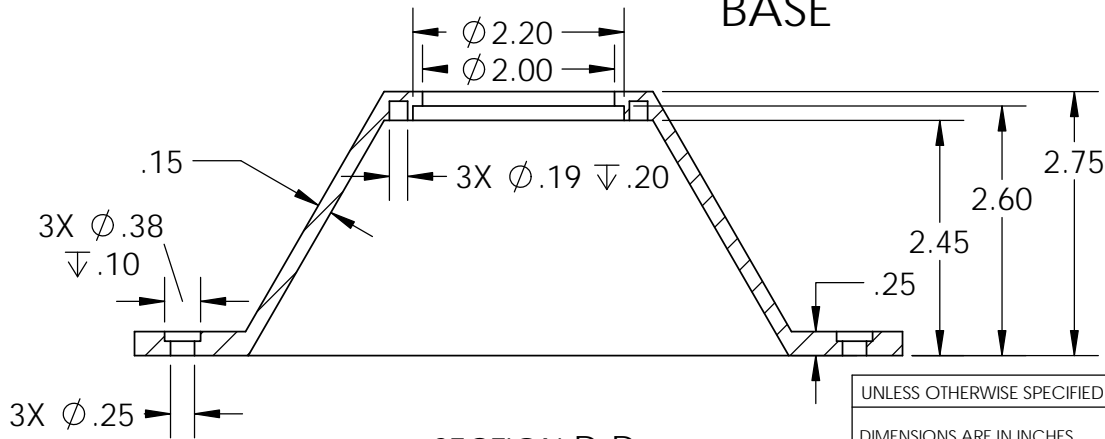
| | | | | | |
|-----------------------------|--|-----------|------|---------------------------------|-----------------|
| UNLESS OTHERWISE SPECIFIED: | | NAME | DATE | NATHAN KARASCH | |
| DIMENSIONS ARE IN INCHES | | DRAWN | 11/4 | TITLE: CLAMP ASSEMBLY | |
| | | CHECKED | | | |
| | | ENG APPR. | | | |
| | | MFG APPR. | | | |
| VOLUME | | COMMENTS: | | SIZE | DWG. NO. |
| 23.21 | | | | A | PTFO 7 |
| DO NOT SCALE DRAWING | | | | SCALE: 1:3 | REV 1 |
| | | | | SHEET 2 OF 6 | |



CASING



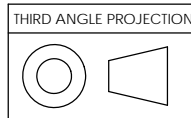
BASE



SECTION D-D
SCALE 1 : 2

UNLESS OTHERWISE SPECIFIED:

DIMENSIONS ARE IN INCHES



VOLUME
Base: 8.40
Casing: 1.39

DO NOT SCALE DRAWING

| | NAME | DATE |
|-----------|------|------|
| DRAWN | 11/5 | |
| CHECKED | | |
| ENG APPR. | | |
| MFG APPR. | | |
| Q.A. | | |

COMMENTS:

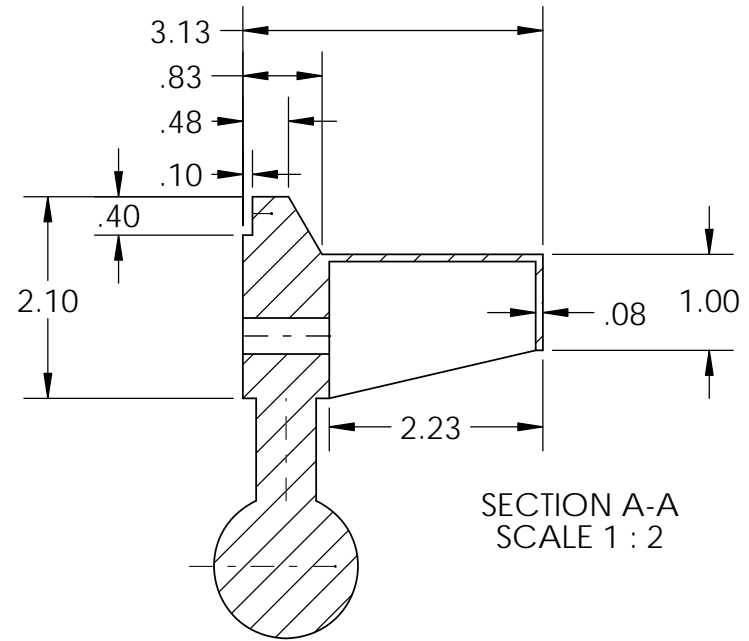
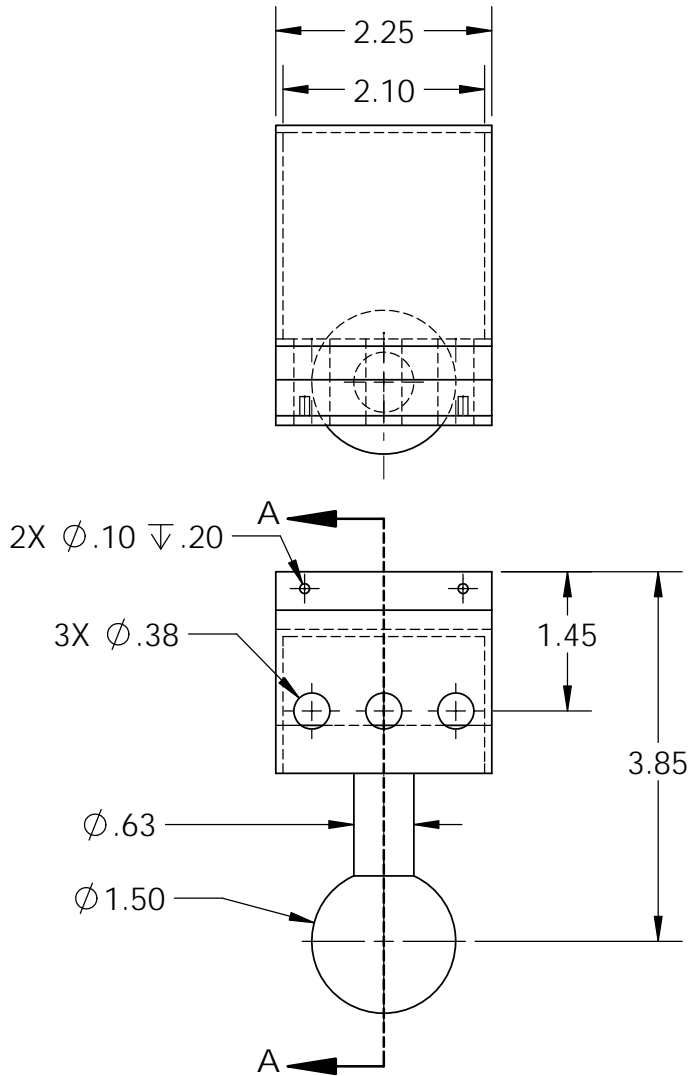
NATHAN KARASCH

TITLE:
**PARTS 1 AND 2
BASE AND CASING**

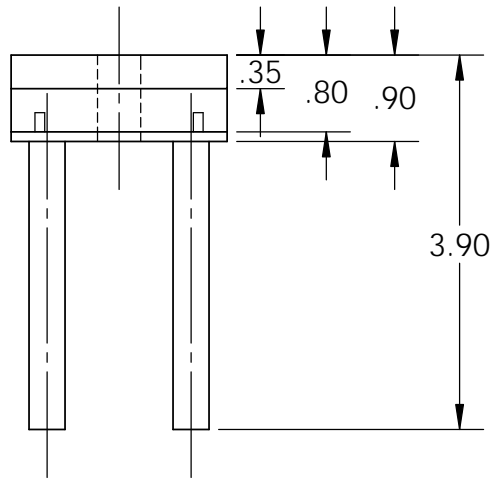
| SIZE | DWG. NO. | REV |
|----------|---------------|----------|
| A | PTFO 7 | 1 |

SCALE: 1:2

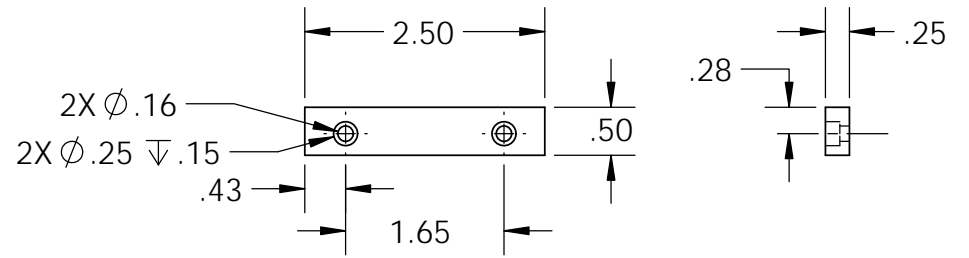
SHEET 3 OF 6



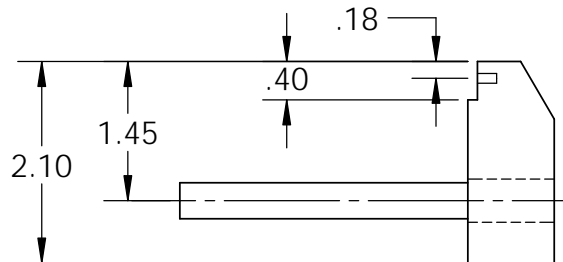
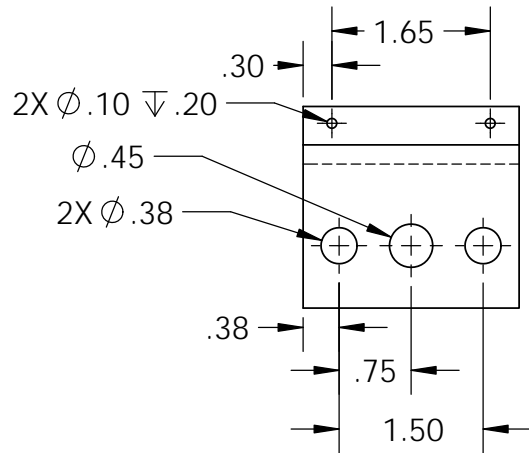
| | | | | | |
|--|--|-----------|------|----------------------------------|---------------|
| UNLESS OTHERWISE SPECIFIED: | | NAME | DATE | NATHAN KARASCH | |
| DIMENSIONS ARE IN INCHES | | DRAWN | 11/5 | TITLE: PART 3 HEAD | |
| <div style="border: 1px solid black; padding: 2px; text-align: center;"> <small>THIRD ANGLE PROJECTION</small> </div> | | CHECKED | | | |
| | | ENG APPR. | | | |
| | | MFG APPR. | | | |
| | | Q.A. | | | |
| VOLUME | | COMMENTS: | | SIZE | DWG. NO. |
| 6.52 | | | | A | PTFO 7 |
| DO NOT SCALE DRAWING | | | | SCALE: 1:2 | |
| | | | | REV 1 | |
| | | | | SHEET 4 OF 6 | |



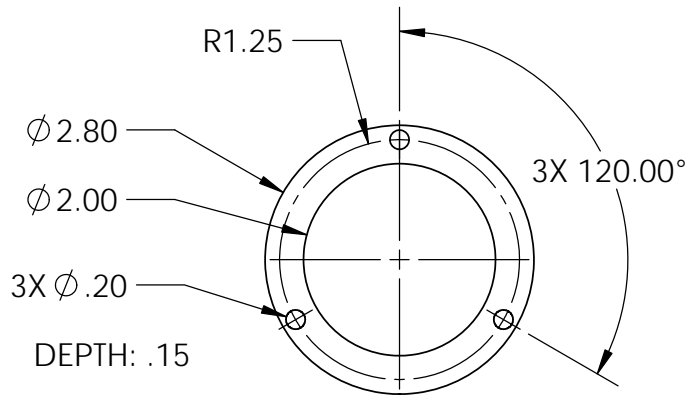
JAW



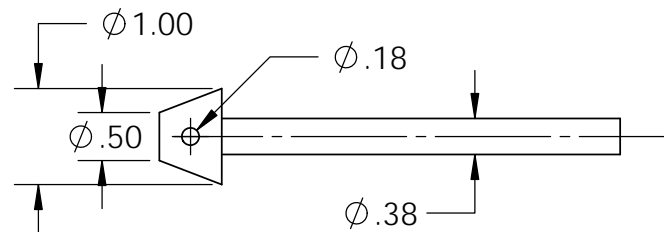
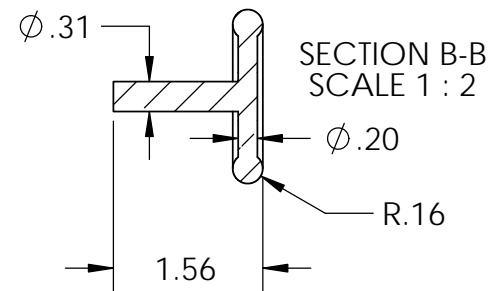
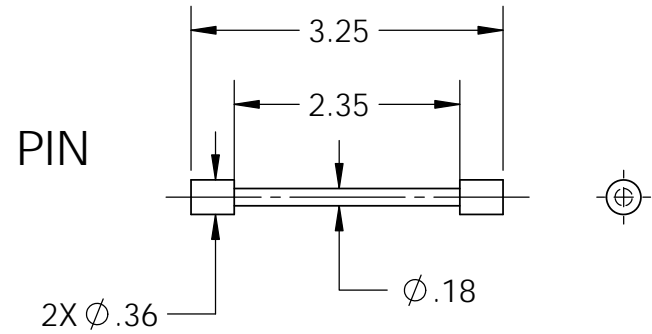
GRIP



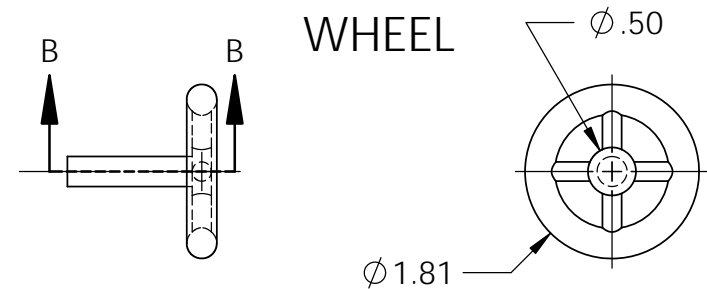
| | | | | | |
|-----------------------------|--|-----------|------|-------------------------------|----------|
| UNLESS OTHERWISE SPECIFIED: | | NAME | DATE | NATHAN KARASCH | |
| DIMENSIONS ARE IN INCHES | | DRAWN | 11/5 | TITLE: | |
| | | CHECKED | | PARTS 4 AND 5 JAW AND GRIP | |
| | | ENG APPR. | | | |
| | | MFG APPR. | | | |
| | | Q.A. | | | |
| VOLUME | | COMMENTS: | | SIZE | DWG. NO. |
| Jaw: 4.44 Grip: 0.29 | | | | A | PTFO 7 |
| DO NOT SCALE DRAWING | | | | SCALE: 1:2 | |
| | | | | REV 1 | |
| | | | | SHEET 5 OF 6 | |



PLATE



SHAFT



| | | | |
|---|---------------|--|--------------|
| UNLESS OTHERWISE SPECIFIED: DIMENSIONS ARE IN INCHES THIRD ANGLE PROJECTION VOLUME Pin: 0.15 Plate: 0.44 Shaft: 0.74 Wheel: 0.55 DO NOT SCALE DRAWING | DRAWN 11/5 | NAME NATHAN KARASCH | DATE 11/5 |
| | CHECKED | TITLE: PARTS 5, 6, 7 AND 8 PIN, PLATE, SHAFT, AND WHEEL | |
| | ENG APPR. | SIZE A DWG. NO. PTFO 7 REV 1 | |
| | MFG APPR. | SCALE: 1:2 SHEET 6 OF 6 | |
| | Q.A. | COMMENTS: | |